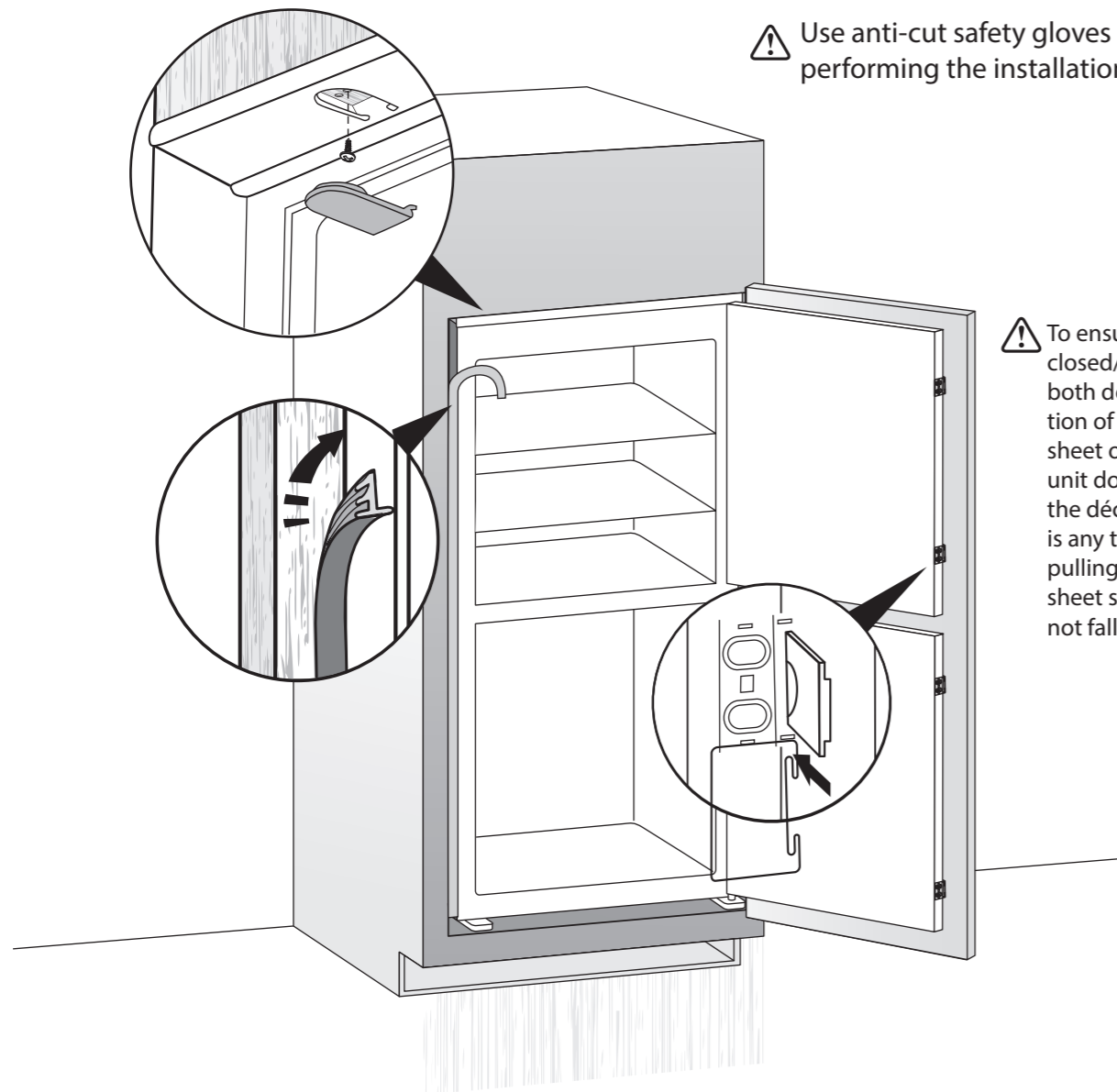


Built-In Fridge Freezer

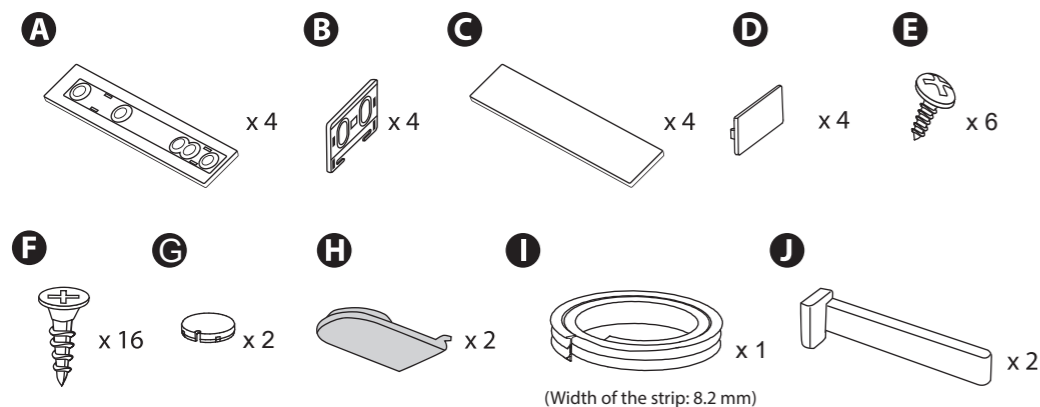
installation instructions



⚠ Use anti-cut safety gloves whilst performing the installation.

⚠ To ensure the doors are fully closed/sealed, conduct a test on both doors following the installation of décor door, such as using a sheet of paper in-between the unit door and its seal and closing the décor door and seeing if there is any tension observed when pulling the sheet of paper – the sheet should hold in place and not fall out.

PARTS LIST



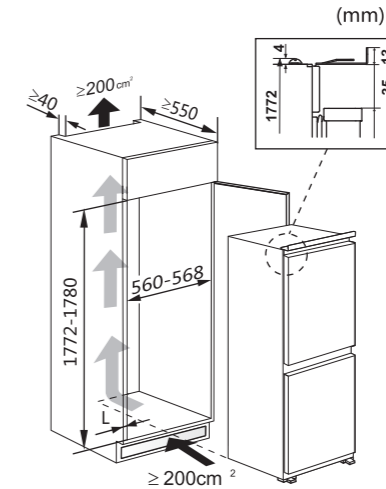
You may need:

- Long reach screwdriver for fixing screws
- Bradawl for making pilot holes into the cabinet
- Small hammer
- Tape measure
- Pencil
- A spirit level

01

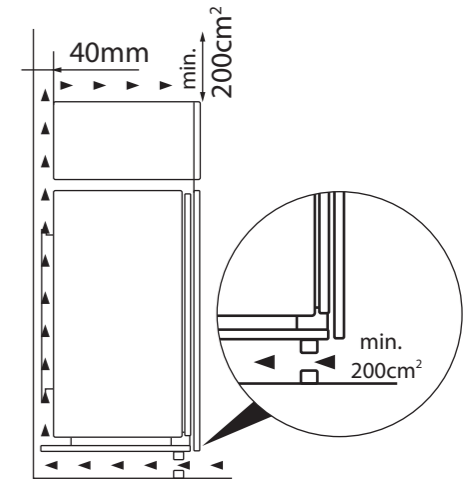
If you need to reverse the fridge doors, reverse the doors first before installing into the cabinet. For reversing door instructions, refer to the Instruction Manual (page 18).

02

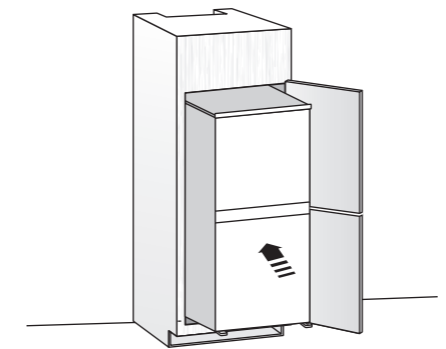


Ensure there is clearance each side of the unit to allow slight sideways movement for servicing when required. Refer to the Instruction Manual for the product's dimension.

03

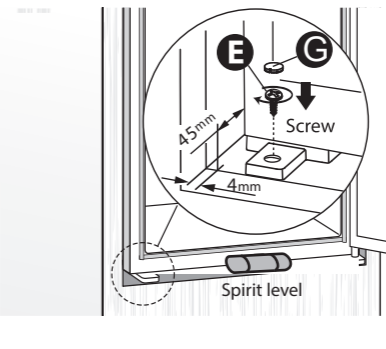


04



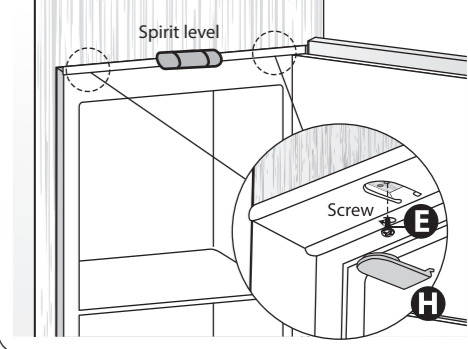
Slowly and carefully push the unit into the installation compartment. Great care needs to be taken to avoid scratching floor because of the metal compressor supporting board.

05



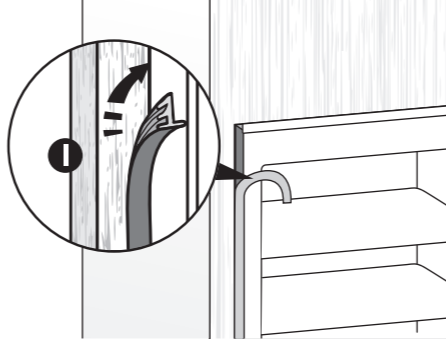
Use a spirit level to ensure the unit is level with the compartment. Tighten the bottom hinge and place the screw covers.

06



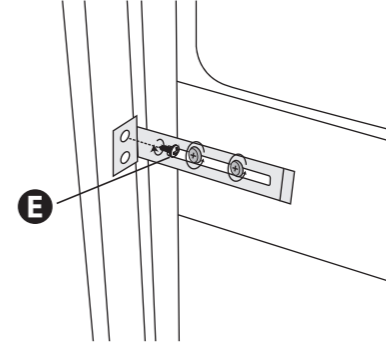
Use a spirit level to ensure the unit is level with the compartment. Tighten the top hinge brackets and place the screw covers.

07



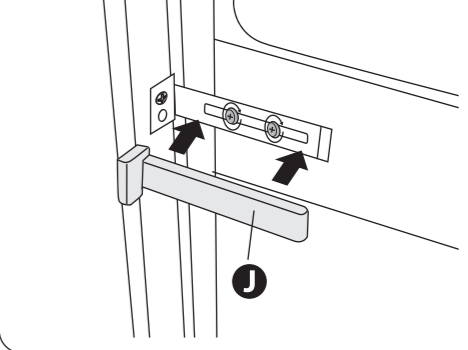
Cut the right length of the rubber strip and place it at the side of the cabinet cover (the strip will stay if the gap is no more than 4mm). If the strip is curved, it can become straight again by heating with a hair dryer.

08



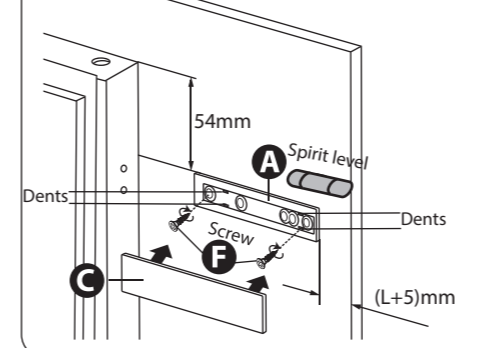
Slightly loosen the screws of the connecting bracket. Adjust the connecting bracket until the unit is aligned properly to the cabinet. Ensure the distance between cabinet and the left and right sides of the unit is level and aligned.

09



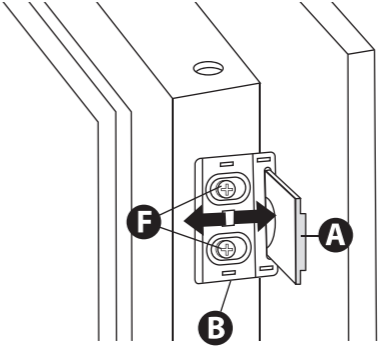
Tighten the screws and place the screw covers.

10



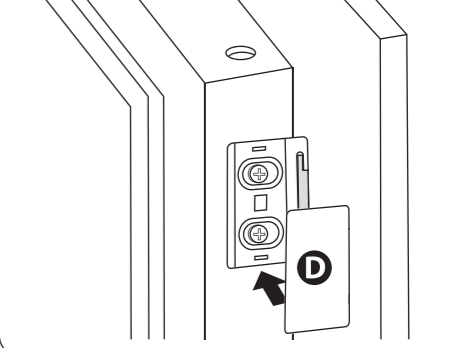
Use a spirit level to ensure **Part A** is level when securing to door panel. Tighten the screws and place **Cover C** onto **Part A**. Align and push **Cover C** into the 4 dents of **Part A**. (L=thickness of cabinet wall)

11



Place **Part B** onto the unit's door. Adjust the position of **Part B**, make sure **Part A** can smoothly slide into **Part B**. If doors squeak when opened, the sliders are not mounted correctly, **Part A** should be checked that it is fitted level.

12



Tighten the screws and place the **Cover D** onto **Part B**.