

Hisense

life reimagined

USER'S OPERATION MANUAL


Before operating this unit, please read this manual thoroughly, and retain for future reference

FUV126D4AW1

English

Contents

Safety and warning information_____	1	What to do if... _____	11
Control panel_____	7	Description of the appliance _____	12
First use and Installation _____	8	Reversing the door _____	13
Daily use_____	8	Instructions for built-under installation ___	15
Helpful hints and tips_____	9	Disposal of the appliance _____	17
Cleaning and Care_____	10		

 This appliance is in accordance with the following EU guidelines: 2014/35/EU and 2014/30/EU and 2009/125/EC and EC.643/2009 and 2002/96/EC



Safety and warning information

For your safety and correct usage, before installing and first using the appliance, read this user manual carefully, including its hints and warnings. To avoid unnecessary mistakes and accidents, it is important to make sure that all people using the appliance are thoroughly familiar with its operation and safety features. Save these instructions and be sure that they remain with the appliance if it is moved or sold, **so that anyone using it throughout its life, will be properly informed on its usage and safety notices.** For the safety of life and property, keep the precautions of these user's

instructions as the manufacturer is not responsible for damages caused by omission.

Safety for children and others who are vulnerable people

- This appliance can be used by children aged from 8 years and above and persons with reduced physical, sensory or mental capabilities or lack of experience and knowledge if they have been given supervision or instruction concerning use of the appliance in a safe way and understand the hazards involved. Children shall not play with the appliance. Cleaning and user maintenance shall not be made by children without supervision.
- Keep all packaging away

from children as there is risk of suffocation.

- If you are discarding the appliance, pull the plug out of the socket, cut the connection cable (as close to the appliance as you can) and remove the door to prevent children playing from suffering an electric shock or from closing themselves inside it.
- If this appliance, featuring a magnetic door seals, is to replace an older appliance having a spring lock (latch) on the door or lid, be sure to make the spring lock unusable before you discard the old appliance. This will prevent it from becoming a death trap for a child.

General safety



• **WARNING** — This appliance is intended to be used in household and similar applications such as

- staff kitchen areas in shops, offices and other working environments;
- farm houses and by clients in hotels, motels and other residential type environments;
- bed and breakfast type

- environments;
- catering and similar non-retail applications
- **WARNING** — Do not store explosive substances such as aerosol cans with a flammable propellant in this appliance.
- **WARNING** — If the supply cord is damaged, it must be replaced by the manufacturer, its service agent or similarly qualified persons in order to avoid a hazard.
- **WARNING** — Keep ventilation openings, in the appliance enclosure or in the built-in structure, clear of obstruction.
- **WARNING** — Do not use mechanical devices or other means to accelerate the defrosting process, other than those recommended by the manufacturer.
- **WARNING** — Do not damage the refrigerant circuit.
- **WARNING** — Do not use electrical appliances inside the food storage compartments of the appliance, unless they are of the type recommended by the manufacturer.

- **WARNING** — The refrigerant and insulation blowing gas are flammable. When disposing of the appliance, do so only at an authorized waste disposal centre. Do not expose to flame.

Refrigerant

The refrigerant isobutene (R600a) is contained within the refrigerant circuit of the appliance, a natural gas with a high level of environmental compatibility, which is nevertheless flammable. During transportation and installation of the appliance, ensure that none of the components of the refrigerant circuit becomes damaged. The refrigerant (R600a) is flammable.



Caution: risk of fire

If the refrigerant circuit should be damaged:

- Avoid opening flames and sources of ignition.
- Thoroughly ventilate the room in which the appliance is situated.

It is dangerous to alter the specifications or modify this product in any way.

Any damage to the cord may cause a shortcircuit, fire, and/or electric shock.



Electrical safety

1. The power cord must not be lengthened.
2. Make sure that the power plug is not crushed or damaged. A crushed or damaged power plug may overheat and cause a fire.
3. Make sure that you can access the main plug of the appliance.
4. Do not pull the main cable.
5. If the power plug socket is loose, do not insert the power plug. There is a risk of electric shock or fire.
6. You must not operate the appliance without the interior lighting lamp cover.
7. The fridge is only applied with power supply of single phase alternating current of 220~240V/50Hz. If fluctuation of voltage in the district of user is so large that the voltage exceeds the above scope, for safety sake, be sure to apply A.C. Automatic voltage regulator of more than 350W to the fridge. The fridge must

employ a special power socket instead of common one with other electric appliances. Its plug must match the socket with ground wire.

Daily use

- Do not store flammable gass or liquids in the appliance, There is a risk of an explosion.
- Do not operate any electrical appliances in the appliance (e.g. electric ice cream makers, mixers etc.).
- When unplugging always pull the plug from the mains socket, do not pull on the cable.
- Do not place hot items near the plastic components of this appliance.
- Do not place food products directly against the air outlet on the rear wall.
- Store pre-packed frozen food in accordance with the frozen food manufacture's instructions.
- The appliances manufactures storage recommendations should be strictly adhered to. Refer to relrelevant instructions for storage.
- Do not place carbonated or fizzy drinks in the freeze compartment as it creates pressure on the container, which may cause it to explode, resulting in damage to the appliance.
- Frozen food can cause frost burns if consumed straight from the freezer compartment.
- Do not place the appliance in direct sunlight.
- Keep buring candles, lamps and other items with naked flames away from the appliance so that do not set the appliance on fire.
- The appliance is intended for keeping food stuff and/or beverages in normal household as explained in this instruction booklet The appliance is heavy. Care should be taken when moving it.
- Do not remove nor touch items from the freezer compartment if your hands are damp/wet, as this could cause skin abrasions or frost/freezer burns.
- Never use the base,

drawers, doors etc. to stand on or as supports.

- Frozen food must not be refrozen once it has been thawed out.
- Do not consume ice popsicles or ice cubes straight from the freezer as this can cause freezer burn to the mouth and lips.

caution!

Care and cleaning

- Before maintenance, switch off the appliance and disconnect the mains plug from the mains socket.
- Do not clean the appliance with metal objects, steam cleaner, ethereal oils, organic solvents or abrasive cleansers.
- Do not use sharp objects to remove frost from the appliance. Use a plastic scraper.

Installation Important!

- For electrical connection carefully, follow the instructions given in this manual.
Unpack the appliance and check if there are damages on it. Do not connect the appliance if it is damaged.

Report possible damages immediately to the place you bought it. In this case retain packing.

- It is advisable to wait at least four hours before connecting the appliance to allow the oil to flow back in the compressor.
- Adequate air circulation should be around the appliance, lacking this leads to overheating. To achieve sufficient ventilation, follow the instructions relevant to installation.
- **Wherever possible the back of the product should not be too close to a wall to avoid touching or catching warm parts (compressor, condenser) to prevent the risk of a fire, follow the instructions relevant to installation.**
- The appliance must not be locate close to radiators or cookers.
- Make sure that the mains plug is accessible after the installation of the appliance.

Service

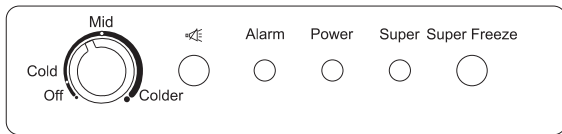
- Any electrical work required to do the servicing of the appliance should be carried out by qualified electrician or competent person.
- This product must be

serviced by an authorized Service Center, and only genuine spare parts must be used.

1) If the appliance is Frost Free.

2) If the appliance contains freezer compartment.

Control panel



The control panel that controls the temperature inside the freezer compartment is located the **lower** freezer.

- : Eliminate alarm sound button.
- Alarm : extensive temperature indicator.
- Power : electrical power indicator.
- Super : Super Freeze indicator.
- Super Freeze : Super Freeze button.

SUPER FREEZE (Button)

If you need the temperature inside the freezer to drop quickly, please press this button and indicator of super will be on. The unit runs in **Super Freezer** .

If you need the appliance to stop the mode of **Super Freeze** , please repress the Super Freeze(button) , the indicator of super shuts off.

Attention! The freezer will automatically quit super freeze mode after 48 hours, at the same time, super indicator will shut off .

ALARM FOR FREEZER

If the power of appliance has been cut for a long time or stopped for any reason ,and the inside temperature has reached the higher degree ($\geq -10^{\circ}\text{C}$)then it in working.

When temperature $\geq -10^{\circ}\text{C}$,The indicator light begins to flash, and at the same time, the alarm sounds 3 times per 10 seconds. After 2 minutes, the alarm will automatically stop, and the Excessive temperature indicator will be on **without flash**.

When temperature $< -10^{\circ}\text{C}$,Excessive temperature indicator shuts off.

(button)

During the alarm of freezer, press , the alarm sound is stopped ,and the excessive temperature indicator is on but no flashing.

Starting up and temperature regulation

Insert the plug of the connection lead into the plug socket with protective earth contact.

Setting off means:

Turn the nob to the Off position, the freezer will be stopped. Turn the knob clockwise beyond the Off, the freezer will be running.

Setting Cold means:

Warmest setting.

Setting Colder means:

Lowest temperature, coldest setting.

Important!-Normally we advise you select setting of Mid, if you want the temperature warmer or colder please turn the knob to **cold or colder** setting accordingly.

When you turn the knob to lower which can lead to the more energy-saving. Otherwise, it would result the high energy-consuming.

Important!-High ambient temperatures (e.g. on hot summer days) and a cold setting on the temperature regulator (position Colder) can cause the compressor to **run continuously !**

Reason: when the ambient temperature is high, the compressor must run continuously to maintain the low temperature in the appliance.

First use and Installation

Cleaning before use

- Before using the appliance for the first time, **clean** the interior and all internal accessories with lukewarm water and some neutral soap so as to remove the typical smell of a brand new product, then dry thoroughly.

Important! Do not use detergents or abrasive powders, as these will damage the finish.

Installation Positioning



Warning! Before installing, read the instruction carefully for your safety and correct operation of the appliance.

- Position the appliance away from sources of heat such as stoves, radiators, direct sunlight etc.
- Maximum performance and safety are guaranteed by maintaining the correct indoor temperature for the class of unit concerned, as specified on the rating plate.
- This application perform well **from N to ST climate class**. The Appliance may not work properly if it is left for a longer period at a temperature above or below the indicated range.

Important! There is a need of good ventilation around the fridge for easy dissipation of heat, high efficiency of refrigeration and low power consumption. For this purpose, sufficient clear space should be available around the fridge. It is advisable for there to be 75mm separating the back of the fridge to the wall, at least

100mm of space at its two sides,height of over 100mm from its top and a clear space upfront to allow the doors to open 160°.

Climate class	Ambient temperature
SN	+10°C to +32°C
N	+16°C to +32°C
ST	+16°C to +38°C
T	+16°C to +43°C

- Appliances must not be exposed to rain.

Leveling


- The appliance should be level in order to eliminate vibration. To make the appliance level, it should be upright and both adjusters should be firmly contacted with the floor. You can also adjust the level by screwing out the appropriate level adjuster at the front (use your fingers or a suitable spanner).

Electrical connection

Caution! Any electrical work required to install this appliance should be carried out by a qualified or competent person.

Daily use

Accessories 1)

This appliance is marked with the symbol  which means that it is suitable for freezing fresh food, storing frozen food and making ice cubes.

Freezer Drawer

- The drawer is suitable for storing frozen food.

Ice-cube production

- This appliance is equipped with one or more trays for the production of ice-cubes. Fill the tray 3/4 full of water to allow for the ice expanding. The ice cubes can be removed simply by twisting the plastic tray.

Freezing fresh food 2)

- The freezer compartment is suitable for freezing fresh food and storing frozen and deep-frozen food for a long time.
- The maximum amount of food that can be frozen in 24 hours is specified on the rating plate, a label located on the inside of the appliance.
- The freezing process lasts 24 hours: during this period do not add other food to be frozen.

Storing frozen food 2)

- When first starting-up or after a period out of use. Before putting the product in the compartment let the appliance run at least 2 hours on the higher settings.

Thawing 2)

- Deep-frozen or frozen food, prior to be used, can be thawed in the freezer compartment or at room temperature, depending on the time available for this operation.
- Small pieces may even be cooked still frozen, directly from the freezer. In this case, cooking will take longer.

Important!

In the event of accidental defrosting ,for example the power has been off for longer than the value shown in the technical characteristics chart under "rising time",the defrosted food must be consumed quickly or cooked immediately and then re-frozen (after cooked).

Helpful hints and tips

Noises during Operation

The following noises are characteristic of refrigeration appliances:

Clicks Whenever the compressor switches on or off, a click can be heard.

Humming As soon as the compressor is in operation, you can hear it humming.

Bubbling When refrigerant flows into thin tubes, you can hear bubbling or splashing noises.

Splashing Even after the compressor has been switched off, this noise can be heard for a short time.

Energy saving tips

- Do not install the appliance near cookers, radiators or other sources of warmth.

- Do not open the door too often or leave the door open any longer than necessary.
- Do not set temperature colder than necessary.
- Make sure the side plates and back plate of the appliance are with some distance from the wall, follow the instructions relevant to installation.
- If sketch map shows the right combination of the drawers, crisper and shelves, do not adjust the combination, it would result in more energy-consuming.

Hints for fresh food refrigeration

To obtain the best performances:

- Do not store warm foods or evaporating liquids in the appliance.
- Do cover or wrap the food, particularly if it

has a strong flavor.

- Position food so that air can circulate freely around.

Hints for freezing

To help you make the most of the freezing process there are some important hints:

- The maximum quantity of food which can be frozen in 24 hours. Is shown on the rating plate.
- The freezing process takes 24 hours. no further food to be frozen should be added during the period.
- Only freeze top quality, fresh and thoroughly cleaned foodstuffs.
- Prepare food in small portions to enable it to be rapidly and completely frozen and to make it possible subsequently to thaw only the quantity required
- Wrap up the food in aluminum foil or polythene and make sure that packages are airtight;
- Do not allow fresh, unfrozen food to touch food which is already frozen, thus avoiding a rise in temperature of the latter.
- Lean foods store better and longer than fatty ones; salt reduce the storage life of food.

- Water ices, if consumed immediately after removal from the freezer compartment, can possibly cause the skin to be freeze burnt.
- It is advisable to show the freezing in date on each individual pack to enable you to keep tab of the storage time.

Hints for storage of frozen food

To obtain the best performance from this appliance, you should:

- Make sure that the commercially frozen foodstuffs were stored by the retailer
 - Be sure that frozen foodstuffs are transferred from the food store to the freezer in the shortest possible time
 - Do not open the door frequently or leave it open longer than absolutely necessary.
 - Once defrosted, foods deteriorate rapidly and can not be re-frozen.
 - Do not exceed the storage period indicated by the food manufacture.
- Note:** If the appliance contains related accessories and function.

Cleaning and Care

Cleaning and Care

For hygienic reasons the appliance interior, including interior accessories, should be cleaned regularly.

The appliance should be cleaned and maintained at least every two months.



Warning! Danger of electrical shock!

- The appliance should not be connected to the mains during cleaning. Before cleaning switch the appliance off and remove the plug from the mains, or switch off or turn out the circuit breaker or fuse.

Important!

- Remove the food from the appliance before cleaning. Store them in a cool place, well covered.
- Never clean the appliance with a steam cleaner. Moisture could accumulate in electrical components.

- Hot vapors can lead to the damage of plastic parts.
- Ethereal oils and organic solvents can attack plastic parts, e.g. lemon juice or the juice from orange peel, butyric acid, cleanser that contain acetic acid. Do not allow such substances to come into contact with appliance parts.
- Do not use any abrasive cleansers.
- Clean the appliance and the interior accessories with a cloth and lukewarm water. Commercially available dish washing detergents may also be used.
- After cleaning wipe with fresh water and clean dish cloth.
- Check the water drain hole on the rear wall of the refrigerator compartment.
- Clear a blocked drain hole with the aid of something like soft green peg, be careful not to make any damage to the cabinet by sharp things.

- After everything is dry place appliance back into service.

Defrosting

- The compartment of this appliance is “frost free”.
- This means that there is no buildup of frost when it is running, neither on the internal walls nor on the foods.
- The absence of frost is due to the continuous circulation of cold air inside the compartment, driven by an automatically controlled fan.

Go out of use for a long time

- Remove all refrigerated packages.
- Remove the mains plug or switch off or disconnect the electricity supply.
- Clean thoroughly (see section: Cleaning and Care)
- Leave the door open to avoid the build up of odors.

What to do if...



Warning! Before trouble shooting, disconnect the power supply. Only a qualified electrician of competent person must carry out the trouble shooting that is not in the manual.

Important! There are some sounds during normal use (compressor, refrigerant circulation)

Important!

Repairs to refrigerators/freezers may only be performed by competent service engineers. Improper repairs can give rise to significant hazards for the user. If your appliance needs repairing, please contact your specialist dealer or your local Service Force Center.

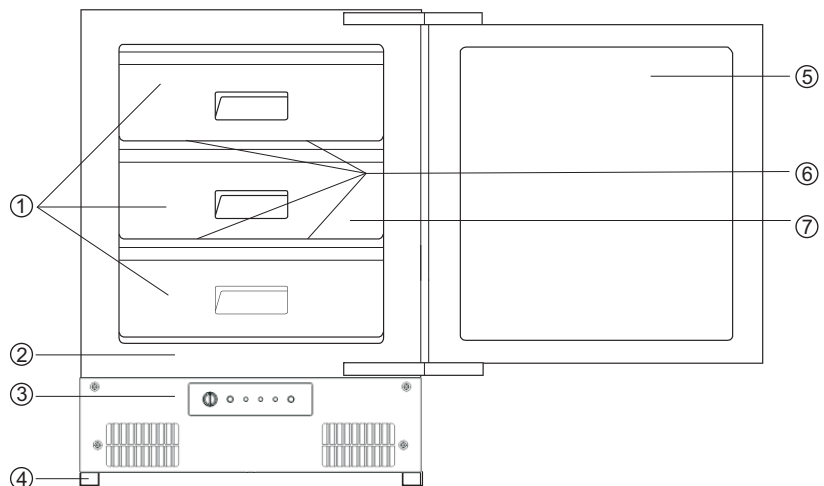
Problem	Possible cause	Solution
Appliance does not work.	Appliance is not switched on.	Switch on the appliance.
	Mains plug is not plugged in or is loose.	Insert mains plug.
	Fuse has blown or is defective.	Check fuse, replace if necessary.
	Socket is defective.	Mains malfunctions are to be corrected by an electrician.
Appliance cools too much.	Temperature is set too cold.	Turn the temperature regulator to a warmer setting temporarily.
The food is too warm.	Temperature is not properly adjusted.	Please look in the “initial Start Up” section.
	Door was open for an extended period.	Open the door only as long as necessary.
	A large quantity of warm food was placed in the appliance within the last 24 hours.	Turn the temperature regulation to a colder setting temporarily.
	The appliance is near a heat source.	Please look in the “installation location” section.

Heavy build-up of frost, possibly also on the door seal.	Door seal is not air-tight (possibly after reversing the door).	Carefully warm the leaking sections of the door seal with a hair dryer (on a cool setting). At the same time shape the warmed door seal by hand such that it sits correctly.
Unusual noises.	Appliance is not level.	Readjust the feet.
	The appliance is touching the wall or other objects.	Move the appliance slightly.
	A component, e.g. a pipe, on the rear of the appliance is touching another part of the appliance or the wall.	If necessary, carefully bend the component out of the way.
The compressor does not start immediately after changing the temperature setting.	This is normal, no error has occurred.	The compressor starts after a period of time.

Description of the appliance

View of the appliance

1. Drawers
2. Shelves (inside)
3. Control panel
4. Adjustable feet
5. Door
6. Drawer pads
7. Ice tray (inside)



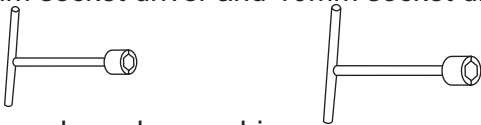
Note: Due to unceasing modification of our products your refrigerator may be slightly different from this Instruction Manual, but its functions and using methods remain the same.

Reversing the door

The side at which the door opens can be changed from the right side (as supplied) to the left side, if the installation site requires.

Tools you will need:

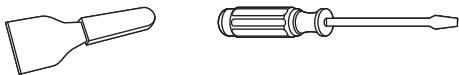
1. 8mm socket driver and 10mm socket driver



2. cross-shaped screwdriver



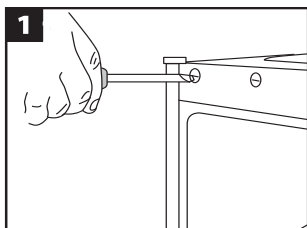
3. Putty knife or thin-blade screwdriver



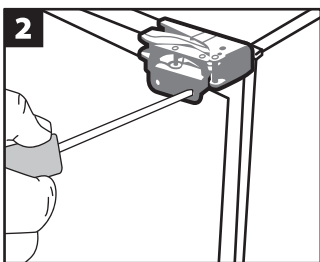
- This must be done before fitting the cabinet outer door.
- Ensure the fridge is unplugged and empty.
- We recommend you have someone to assist you.

WARNING! Take care when opening the hinges, they are sprung and there is a risk of injury if they close on your hand.

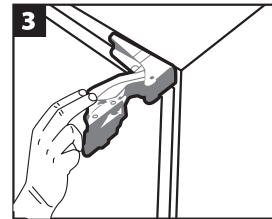
1. Remove the blanking plates from the outside of the Larder fridge door.



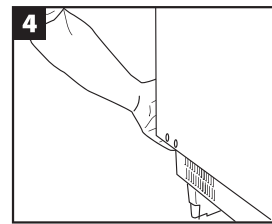
2. With the door closed remove the screws on the outside of the hinges. Start with the top hinge.



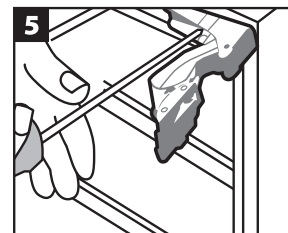
3. Open the hinges away from the door.



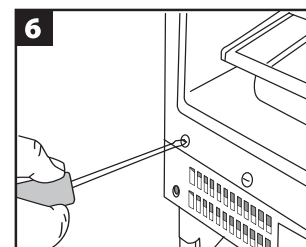
4. Supporting the bottom of the door as you do so. Be careful with the hinges. Remove the door.



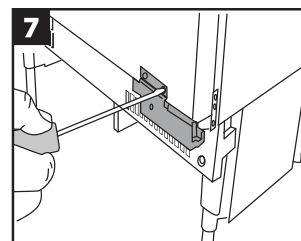
5. With the top hinge open undo the screws holding it to the cabinet. Be careful with the hinge, use a long shafted screwdriver if you have one.



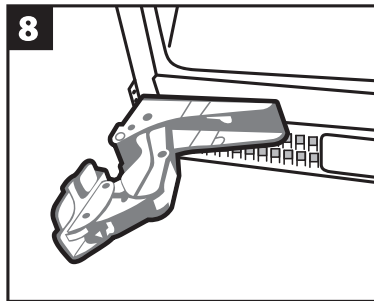
6. Remove the blanking plates for the cabinet.



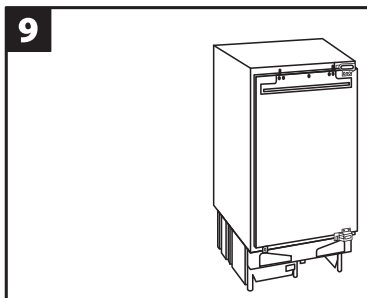
7. Turn the hinge over and place it on the diagonally opposite corner of the cabinet. Screw back in place.



8.Repeat with the other hinge,Replace the cabinet blanking plates.Replace the door and re-attach the hinges.



9.Check that the larder fridge door is aligned horizontally and vertically and that the door seals are secure on all sides before finally tightening the hinge bracket screws.



Warning!

Reposition, level the appliance, wait for at least two hours and then connect it to the power socket. In case you do not want to carry out the above mentioned operations, contact the nearest

After Sales Service Force. The After Sales Service specialist will carry out the reversibility of the doors at your cost. After having reversed the opening direction of the door check that all the screws are properly tightened and that the magnetic seal adheres to the cabinet. .

Instructions for built-under installation

1. The furniture's dimensions must comply with those shown in Figure 1. The appliance can be inserted under the worktop between two (a) or placed as a terminal unit (b).

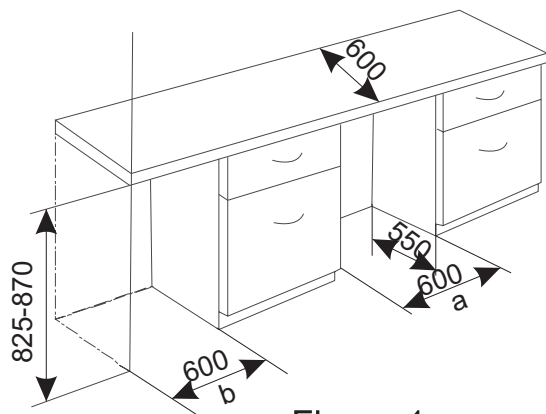


Figure 1

2. After inserting the appliance in the appropriate furniture (Figure 2), you must adjust its height using the 4 adjustable feet (Figure 3). The height can be adjusted from 82 to 87 mm.

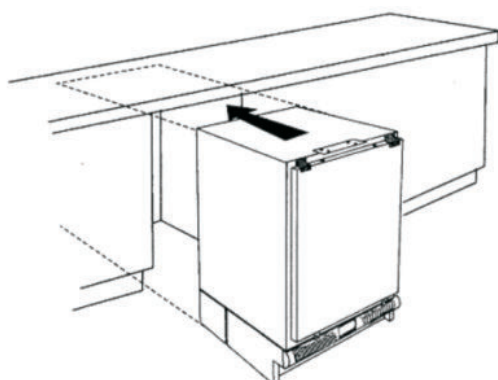


Figure 2

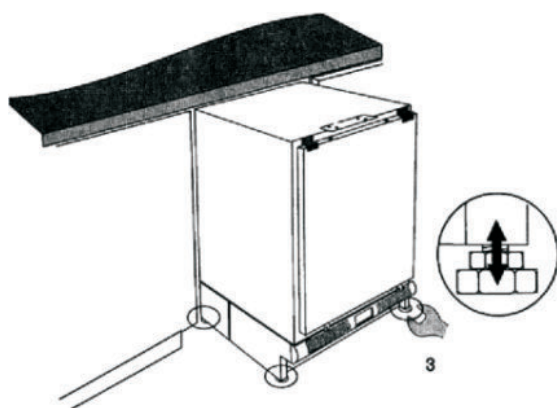


Figure 3

3. Fitting the door panel

1) Remove the upper fixing flanges from the appliance's door (Figure 4).

2) Fasten the flanges onto the furniture's door, following the instructions mentioned in the diagram;

-Distance A is the one from the top edge of the appliance's door to the lower edge of the worktop. -Distance B is the one from the top edge of the door on the furniture next to the lower edge of the worktop.

3) Fasten the furniture's door on to the appliance by tightening the upper nuts (Figure 5-A/B). Align the furniture's door to those on the neighbouring units by adjusting the position of the flanges to the furniture's door (Figure 5-D).

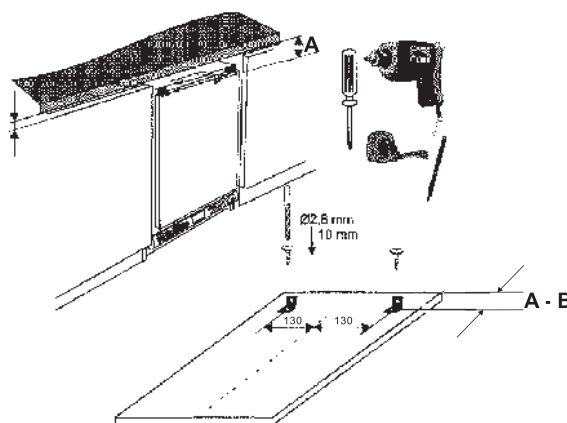


Figure 4

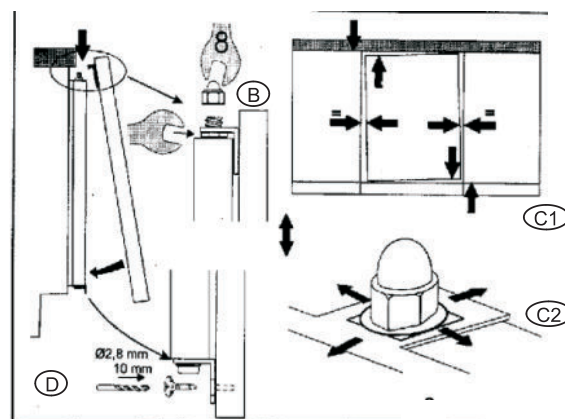


Figure 5

4. Fasten the appliance to the worktop or at the sides to the adjacent units, using the upper or side fixing holes provided for this purpose(Figure 6).

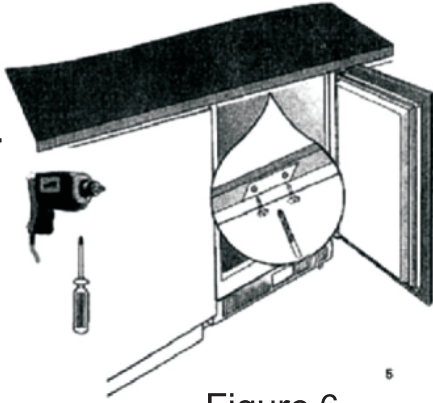
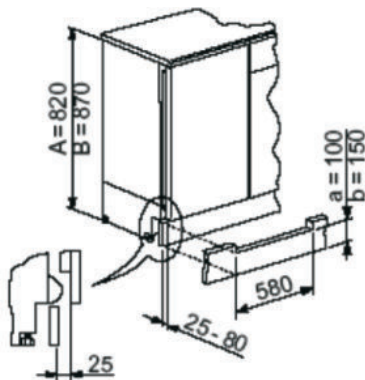


Figure 6

FITTING THE PLINTH

⚠ Warning: the original ventilation grill must be used in order not to compromise the appliance's operation. The plinth must also be positioned at least 25mm way from the appliance's door.

- If the niche for the appliance has a height of $A = 820\text{mm}$ and a plinth height of $a = 100\text{mm}$, the plinth can be fitted without any modification.
- If the plinth's height is greater than $a = 100\text{mm}$, $b = 150\text{mm}$, then it must be cut to a height of $a = 100\text{mm}$ and $b = 150\text{mm}$ with a width of $a = 580\text{mm}$.
- Fasten the plinth to the kitchen block



Disposal of the appliance

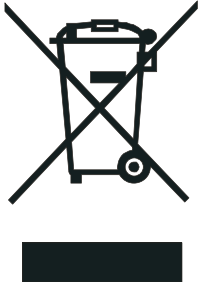
It is prohibited to dispose of this appliance in domestic household waste.

Packaging materials

Packaging materials with the recycle symbol are recyclable. Dispose the packaging in a suitable collector container to recycle it.

Before disposal of appliance.

1. Disconnect the mains plug from the mains socket.
2. Cut off the mains cable and discard it.

	Correct Disposal of this product
	<p>This marking indicates that this product should not be disposed with other household wastes throughout the EU. To prevent possible harm to the environment or human health from uncontrolled waste disposal, recycle it responsibly to promote the sustainable reuse of material resources. To return your used device, please use the return and collection systems or contact the retailer where the product was purchased. They can take this product for environmental safe recycling.</p>

Hisense Service Help Line: 0844 3460087

Hisense Refrigerator

Hisense

life reimagined

Hisense UK Ltd
Unit 2 Meadow Court
Millshaw Lane
Leeds
LS11 8LZ